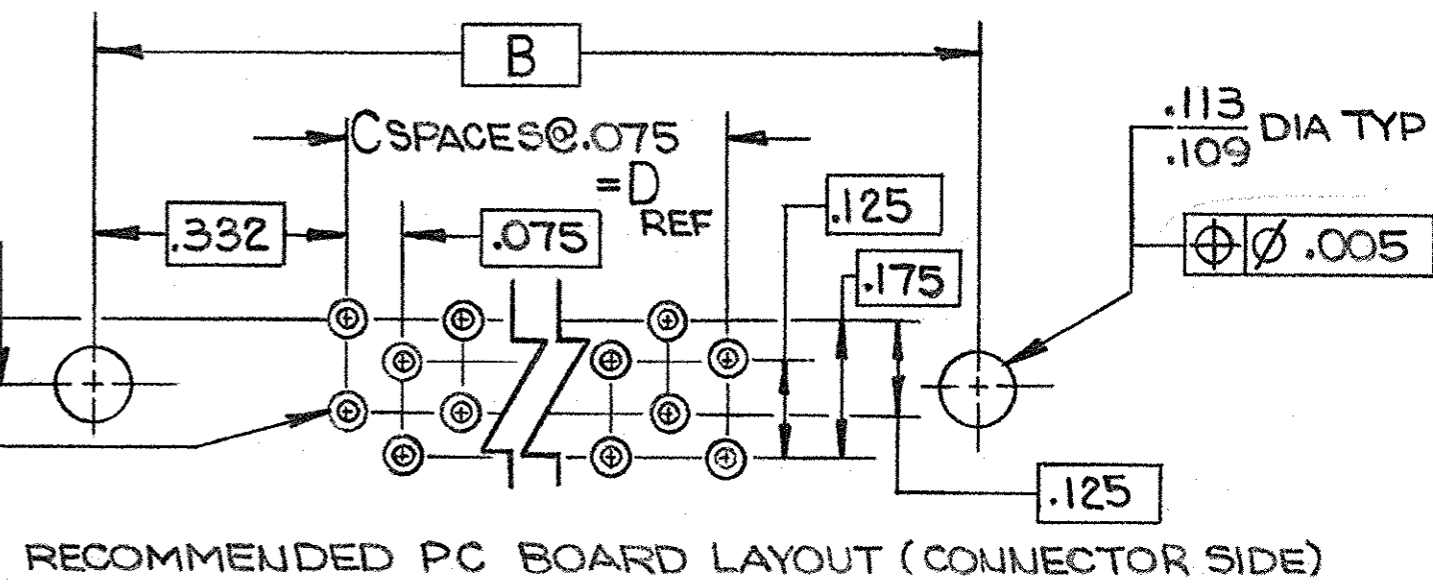
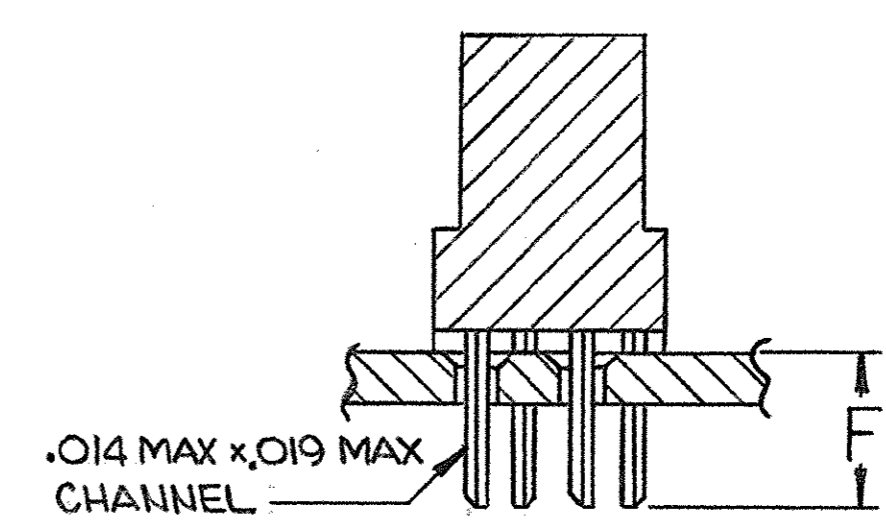
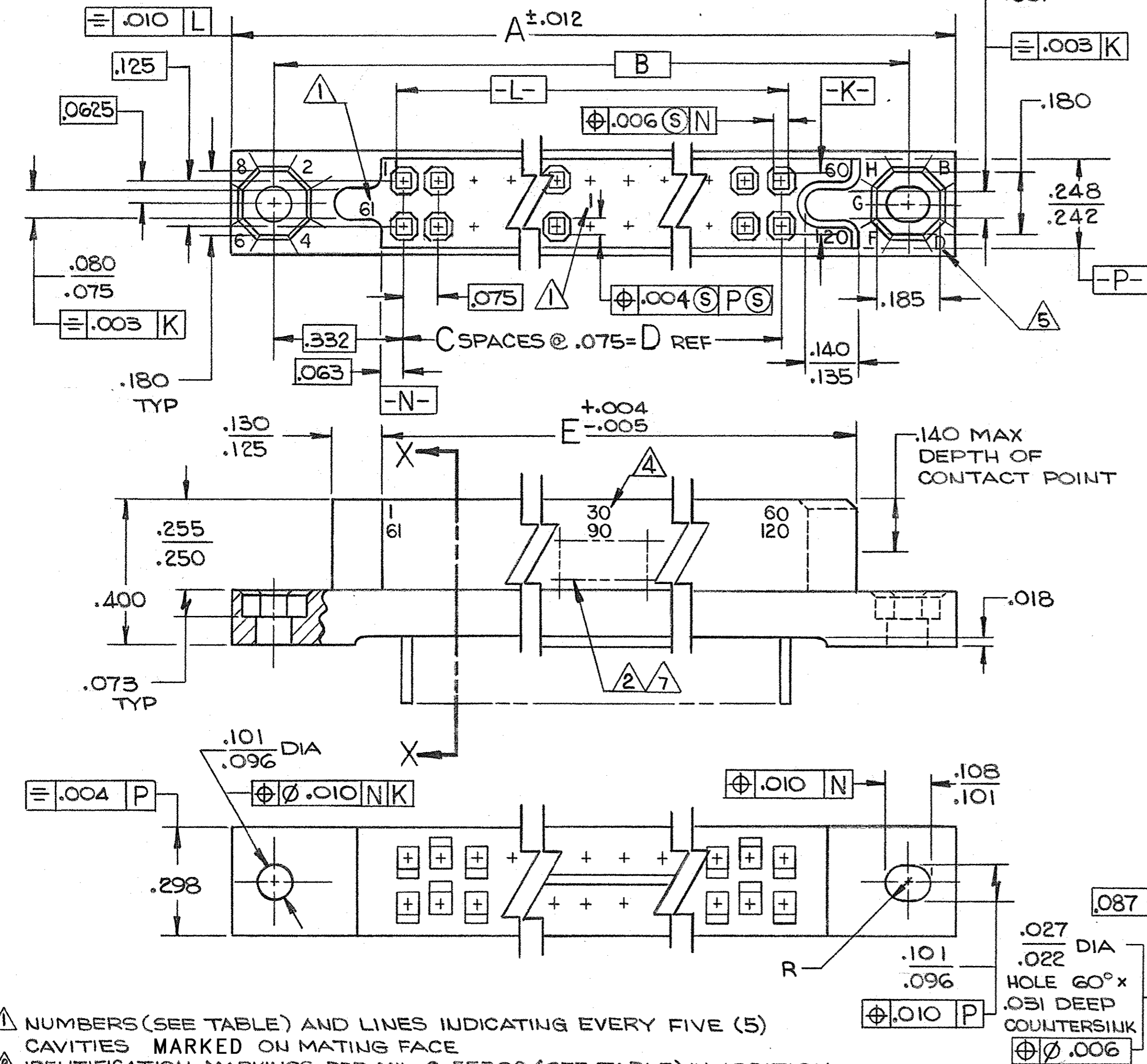


© COPYRIGHT 19 BY AMP INCORPORATED, HARRISBURG, PA.  
ALL INTERNATIONAL RIGHTS RESERVED. AMP INCORPORATED PRODUCTS  
COVERED BY U. S. AND FOREIGN PATENTS AND/OR PATENTS PENDING.

REVISIONS				DATE	APPROVED
P	F	ZONE/LTR	DESCRIPTION		
		D	ECO-08-020831	PY 10-08	BW



- $\triangle 1$  NUMBERS (SEE TABLE) AND LINES INDICATING EVERY FIVE (5) CAVITIES MARKED ON MATING FACE
  - $\triangle 2$  IDENTIFICATION MARKINGS PER MIL-C-55302 (SEE TABLE) IN ADDITION TO "AMP", PART NO. AND DATE CODE.
  - 3. MUST MEET ALL APPLICABLE REQUIREMENTS OF MIL-C-55302.
  - $\triangle 4$  NUMBERS INDICATING EVERY FIVE (5) CAVITIES MARKED ON SIDE.
  - $\triangle 5$  KEY POSITION INDICATORS MOLDED ON HOUSING.
  - 6. USES KEY KIT PART NUMBER 530341-3.
  - $\triangle 7$  MARKING FOR DASH 5 PART NUMBER IS: AMP 531145-5, DATE CODE, 414-2998-001, 94756, 00779.
  - $\triangle 8$  HOUSING: DIALLYL PHTHALATE PER MIL-M-14 TYPE SDG-F COLOR: BLUE CONTACTS: BERYLLIUM COPPER (BeCu) OR COPPER NICKEL SILICONE (CuNiSi)
  - $\triangle 9$  FINISH: .000050 GOLD IN CONTACT AREA, TIN-LEAD ON SOLDER TAILS, ALL OVER NICKEL UNDERPLATE.
- [NOTES CONTINUED -- SEE SHEET 2]

UNLESS OTHERWISE SPECIFIED DIMENSIONS ARE IN INCHES. TOLERANCES ON: DECIMALS $\pm .005$ ANGLES $\pm$	CONTRACT NO 10-9-79	AMP INCORPORATED Harrisburg, Pa.	PART NO
	DR IRSHAFFNER		
MATERIAL $\triangle 8$	CHK Roy W. Dunbar 11/7/79	SIZE C	CODE IDENT NO 00779
FINISH $\triangle 9$	APPD Roy W. Dunbar 11/7/79	DRAWING NO 531145	REV D
	DSGN APPD	SCALE 4:1	SHEET 1 OF 2
	OTHER APPD		

531145

© COPYRIGHT 19 BY AMP INCORPORATED, HARRISBURG, PA.  
ALL INTERNATIONAL RIGHTS RESERVED. AMP INCORPORATED PRODUCTS  
COVERED BY U. S. AND FOREIGN PATENTS AND/OR PATENTS PENDING.

REVISIONS						
P	F	ZONE	LTR	DESCRIPTION	DATE	APPROVED
~ SEE SHEET 1						

**10** ATTACHED FLOW CHART PERTAINS TO DASH FIVE ONLY  
AND CORRESPONDS TO THE BASELINE DOCUMENT FOR  
532476, ROCKWELL ONLY.

531145

#	1	90	215/250	6.940	6.675	89	7.340	7.630	180	531145-5
—	91	180	.171/.136	6.940	6.675	89	7.340	7.630	180	531145-4
—	81	160	↑	6.190	5.925	79	6.590	6.880	160	↑ -3
—	76	150	↓	5.815	5.550	74	6.215	6.505	150	↓ -2
—	61	120	.171/.136	4.690	4.425	59	5.090	5.380	120	531145-1
REMARKS	IDENTIFICATION MARKING	CONTACT IDENT NO.	F	E	D	C	B	A	NO. OF CONTACTS	PART NO

UNLESS OTHERWISE SPECIFIED DIMENSIONS ARE IN INCHES. TOLERANCES ON: DECIMALS ± _____ ANGLES ± _____ MATERIAL _____ FINISH _____	CONTRACT NO		<b>AMP</b>   AMP INCORPORATED Harrisburg, Pa.	
	DR <b>IRSHAFNER</b> 10-9-79		NAME <b>RECEPTACLE ASSEMBLY, 750 SERIES BOX, WITH EXTERNAL KEYING, FLOW SOLDER CONTACTS</b>	
	CHK <i>Joseph W. Durbin</i> 11/7/79		SIZE CODE IDENT NO DRAWING NO	
	APPD <i>Joseph W. Durbin</i> 11/7/79		<b>C 00779 531145</b>	
DSGN APPD		REV D		
OTHER APPD		SCALE _____ SHEET 2		